



*the*  
**URBAN  
CONGA**

[www.theurbanconga.com](http://www.theurbanconga.com)



**GARRETT PARK**

**PLAY IS OUR NATURAL DRIVER TO DISCOVER,  
EXPLORE, AND EMPATHIZE WITH OTHERS.**

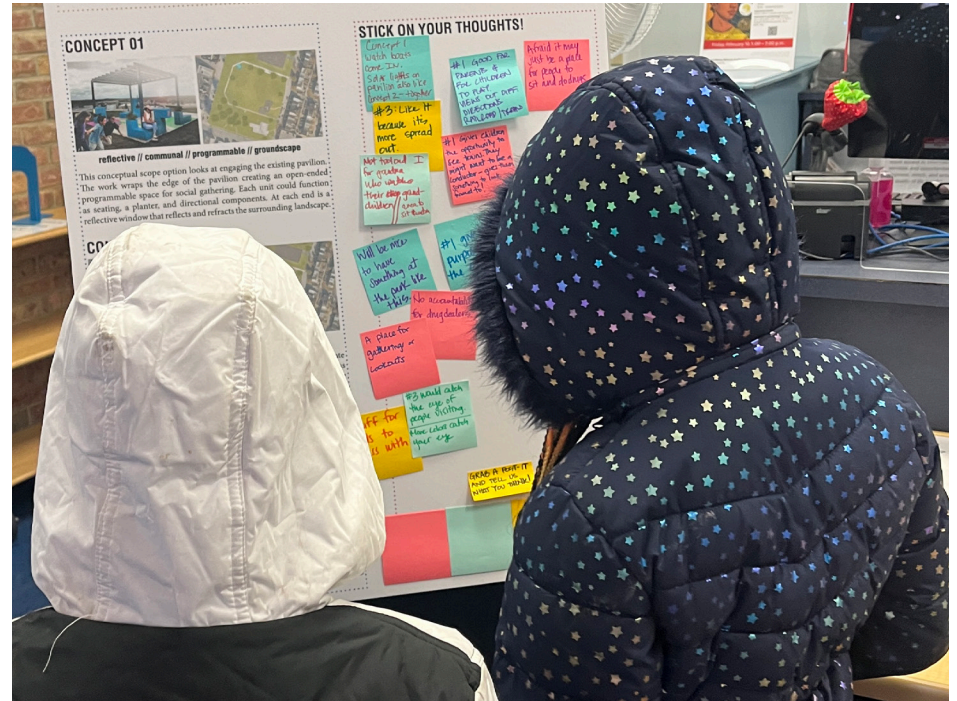


## COMMUNITY WORKSHOPS





# COMMUNITY WORKSHOPS











## **reflective // communal // programmable // groundscape**

This conceptual scope option looks at engaging the existing pavilion. The work wraps the edge of the pavilion creating an open-ended programmable space for social gathering. Each unit could function as seating, a planter, and directional components. At each end is a reflective window that reflects and refracts the surrounding landscape. This was the communities favorite concept, but wanted it to be more explorative and focus more on the views.



## **views // social // explorative // botanical**

This conceptual scope option looks at cracking the ground to create an explorative social space for people to connect with each other as well as the views. The work would sit at the far end of the park at the overlook area. It would also include plants that help with air pollution. The community really enjoyed the explorative nature of this work and the focus on the view. We received feedback that it should be more inclusive for those of all ages to engage on.



## **informative // kinetic // wayfinding // inspiration**

This conceptual scope option looks at creating a series of kinetic components that rotate from the wind. On the panels will be information about air pollution and how we can work together to help mitigate the pollution. The work will also serve as directional wayfinding leading people to the path and other landmarks in the area. The community liked the variety of colors in this concept, but wanted it to be more of one central gathering location.



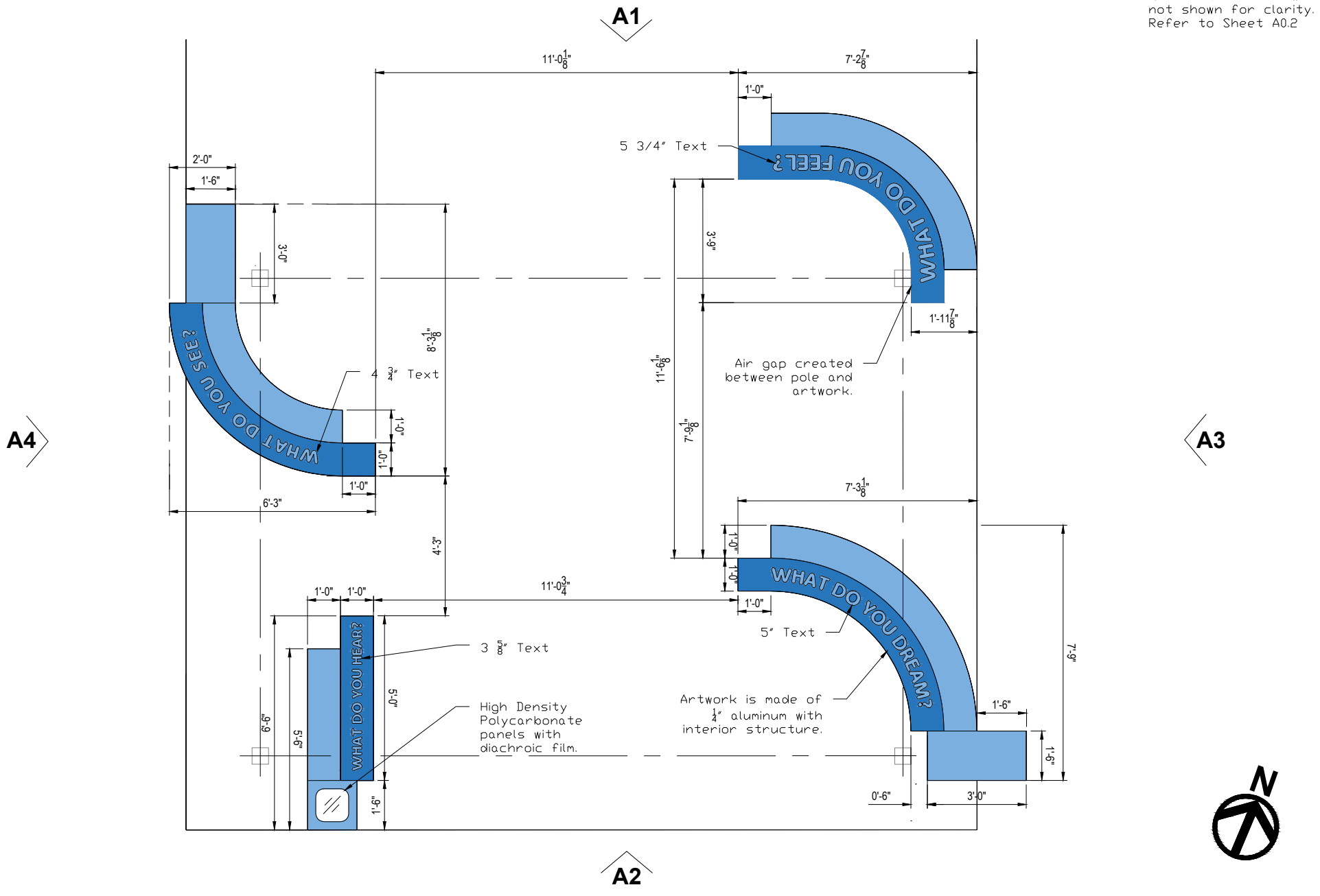
# INTERWOVEN


*a space for the community to connect, listen, and learn*





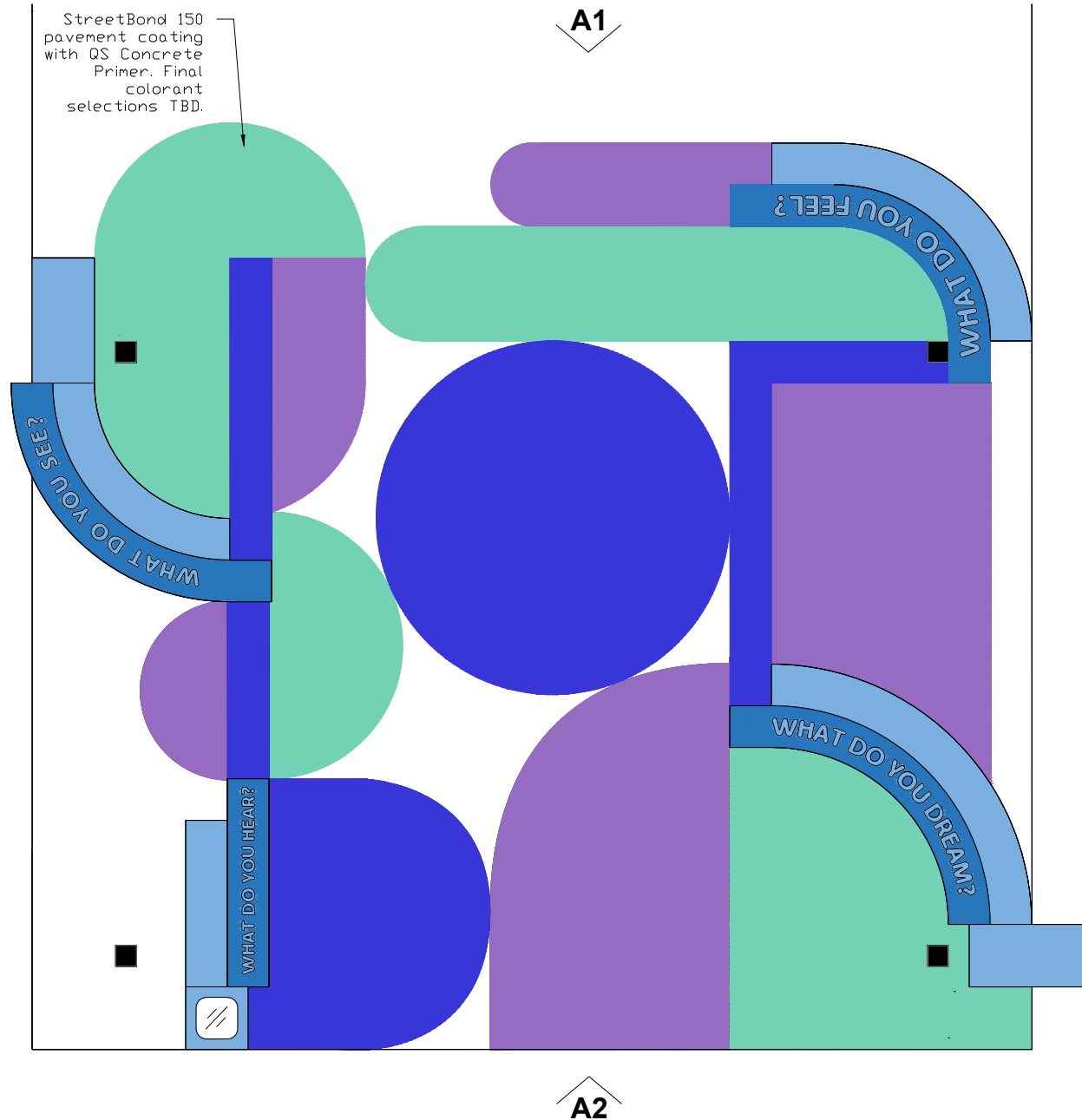
Note: Pavement artwork not shown for clarity. Refer to Sheet A0.2




TITLE: <b>SITE PLAN</b>	A0.1		625	4/18/2023	 <b>The Urban Conga Inc.</b> info@theurbanconga.com www.theurbanconga.com
	DRAWING NO.		PROJECT NO.	DATE.	
COST ESTIMATE	1/4" = 1'-0"	MC	RS	5/30/23	
	SCALE AT A4.	DRAWN.	CHECKED.	REVISION.	



Note: Pavement artwork subject to change with further design coordination.



TITLE:	SITE PLAN - PAVEMENT ARTWORK		A0.2	625	4/18/2023
COST ESTIMATE	1/4" = 1'-0"	MC	RS	5/30/23	
	SCALE AT A4.	DRAWN.	CHECKED.	REVISION.	



The Urban Conga Inc.

info@theurbanconga.com

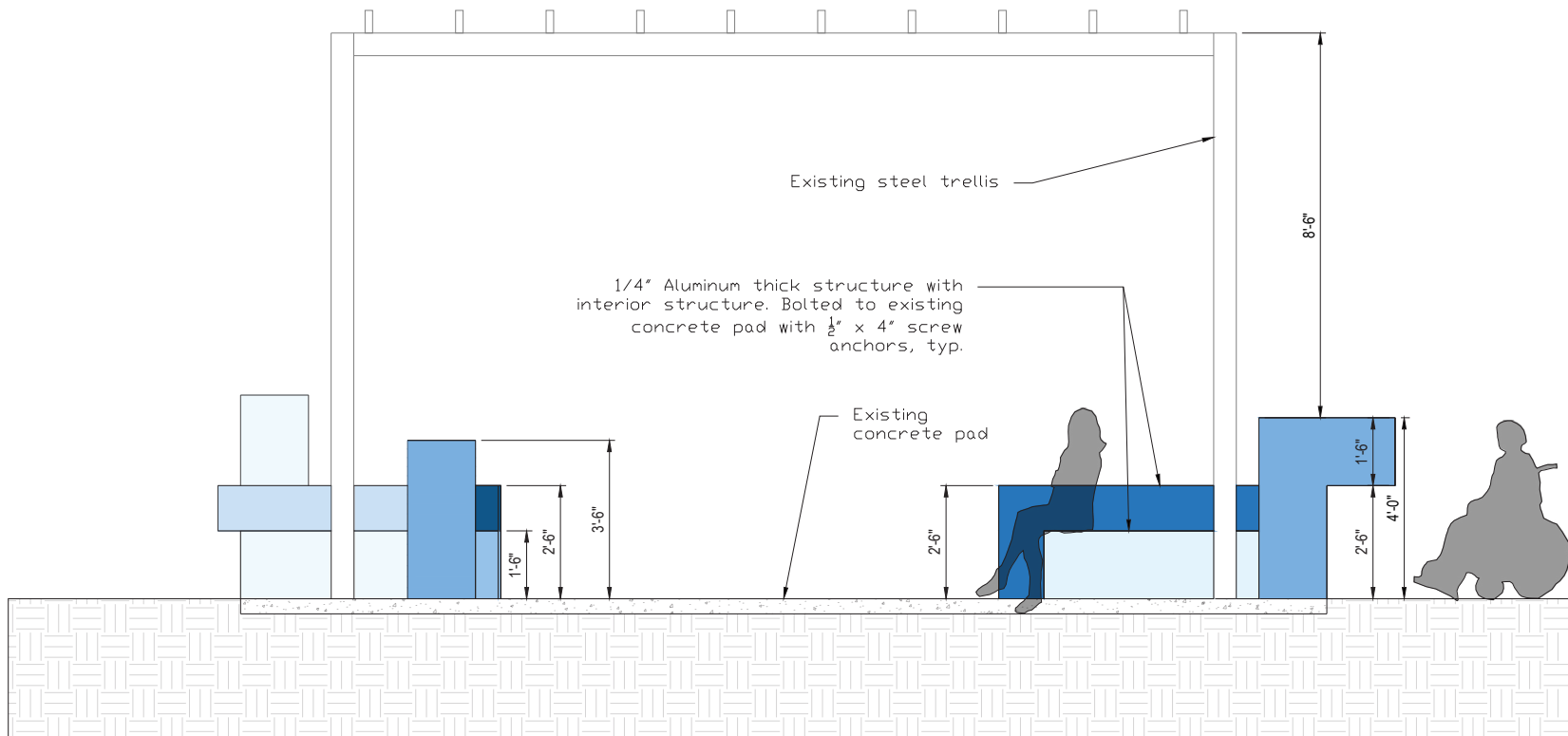
www.theurbanconga.com



*\*this is a conceptual rendering and final  
groundscape color selection may vary  
upon final approval*







TITLE:  
SOUTH ELEVATION

A2  
DRAWING NO.

625  
PROJECT NO.

4/18/2023  
DATE.

COST ESTIMATE

1/4" = 1'-0"  
SCALE AT A4.

MC  
DRAWN.

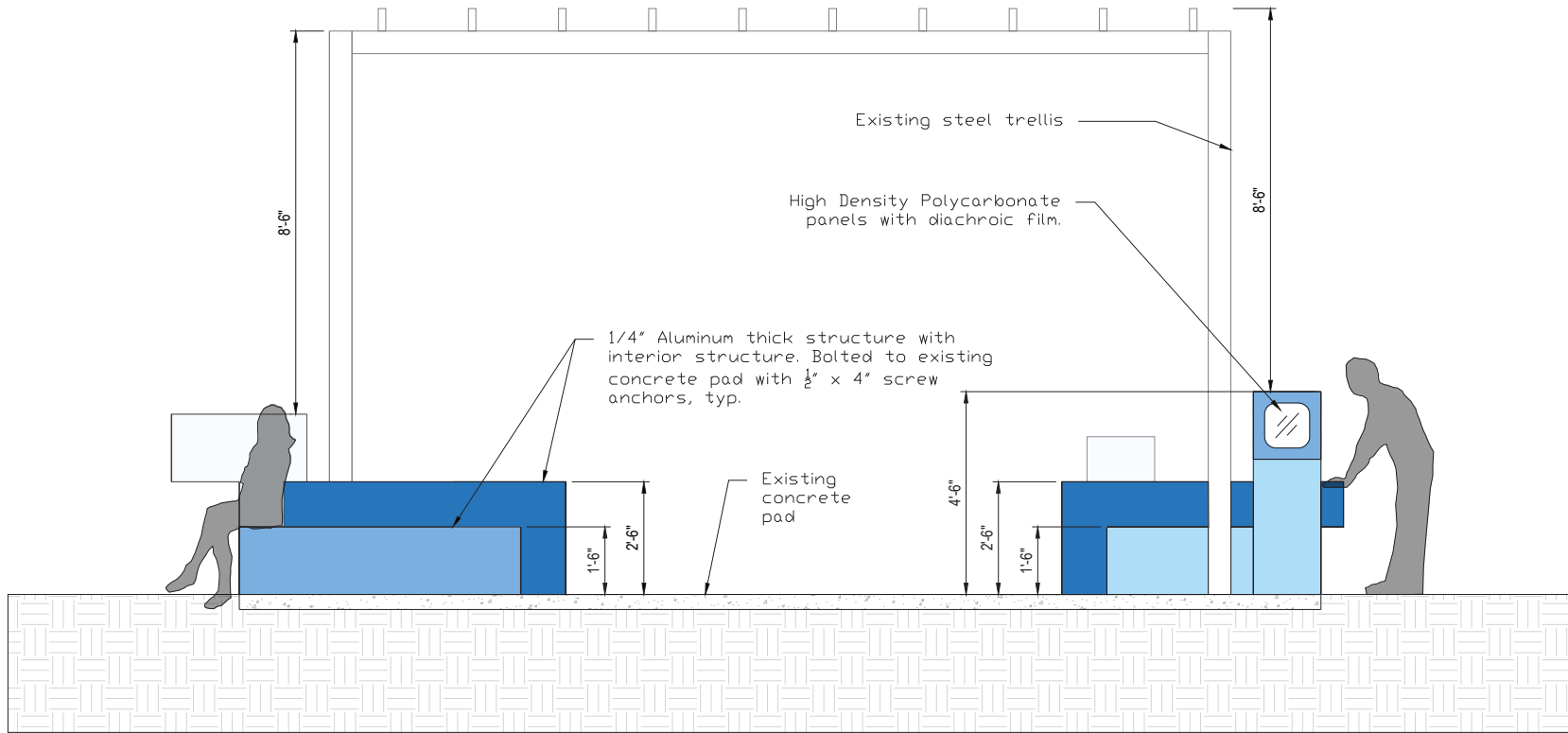
RS  
CHECKED.

5/30/23  
REVISION.



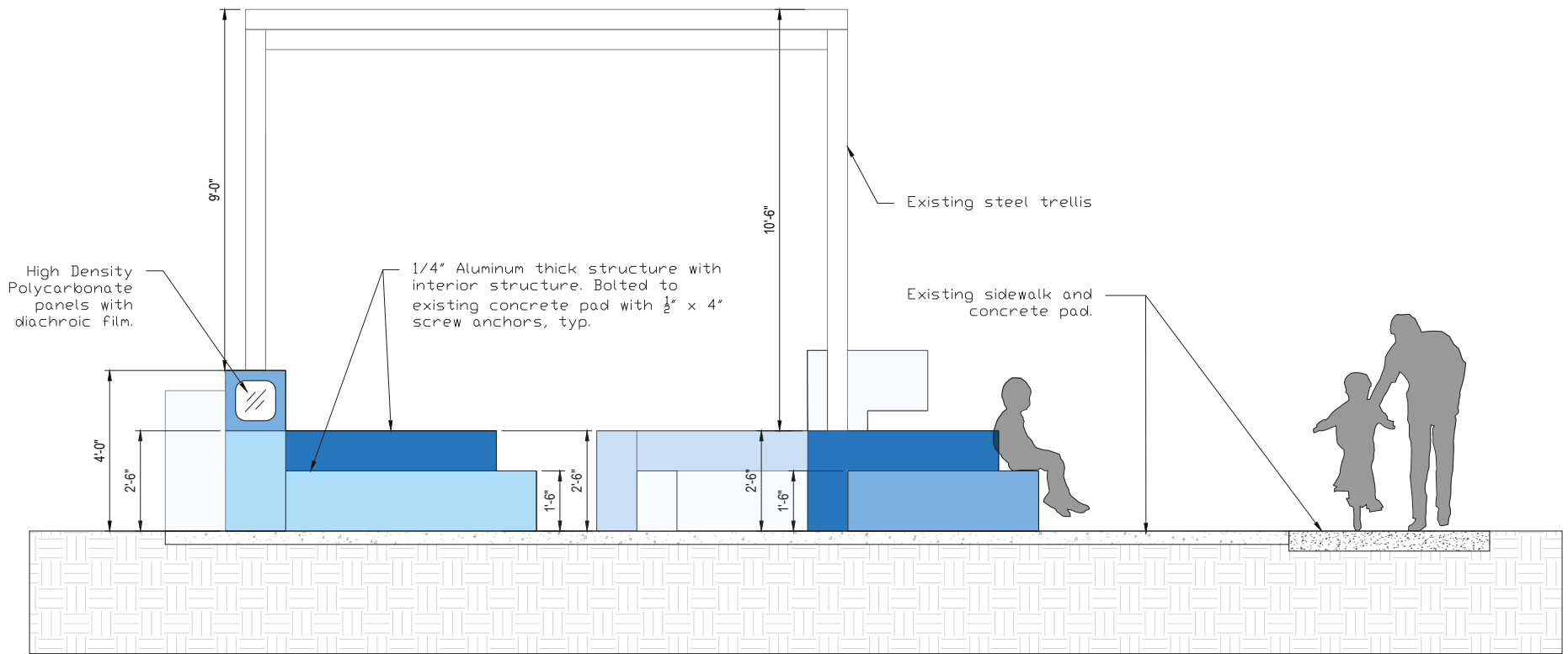
The Urban Conga Inc.  
info@theurbanconga.com  
www.theurbanconga.com






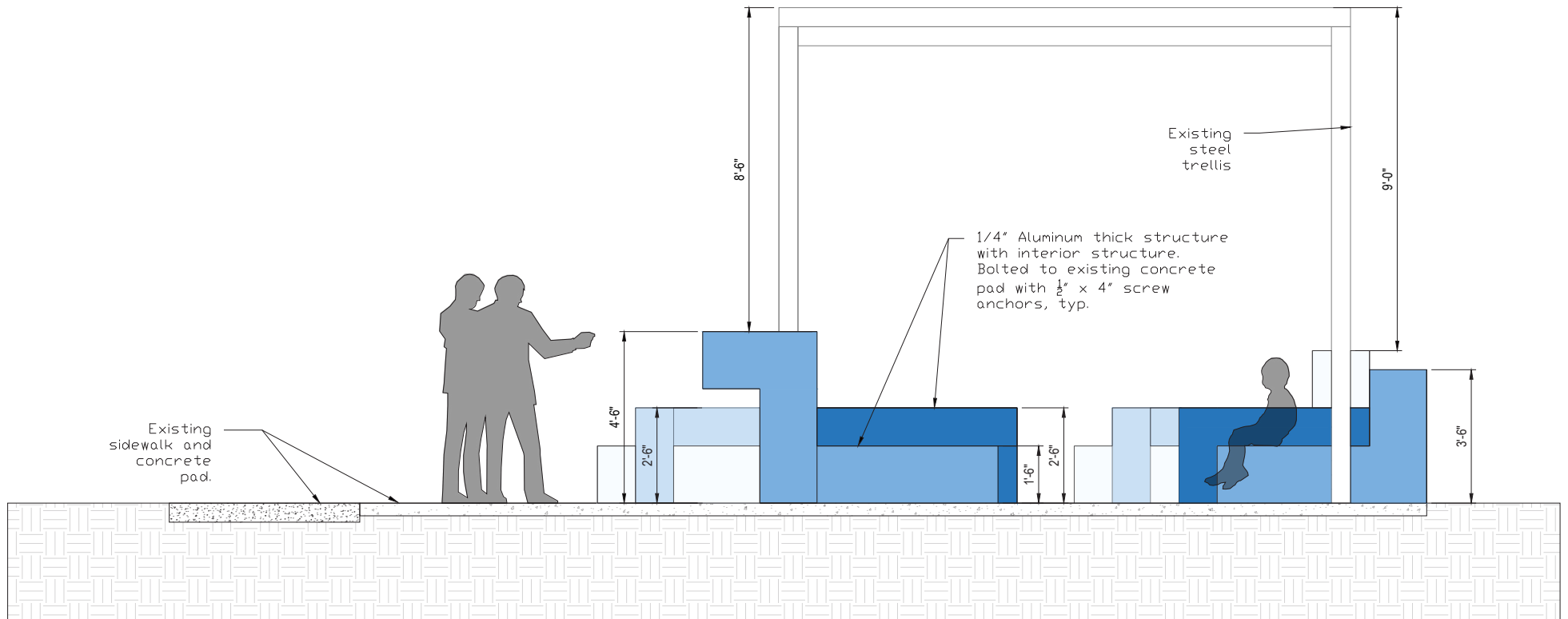
TITLE: <b>NORTH ELEVATION</b>	A1 DRAWING NO.	625 PROJECT NO.	4/18/2023 DATE.		The Urban Conga Inc. info@theurbanconga.com www.theurbanconga.com
COST ESTIMATE	1/4" = 1'-0" SCALE AT A4.	MC DRAWN.	RS CHECKED.		5/30/23 REVISION.






TITLE: <b>EAST ELEVATION</b>	A3		625	4/18/2023		<b>The Urban Conga Inc.</b> info@theurbanconga.com www.theurbanconga.com
	DRAWING NO.	PROJECT NO.	DATE.			
COST ESTIMATE	1/4" = 1'-0"	MC	RS	5/30/23		
	SCALE AT A4.	DRAWN.	CHECKED.	REVISION.		



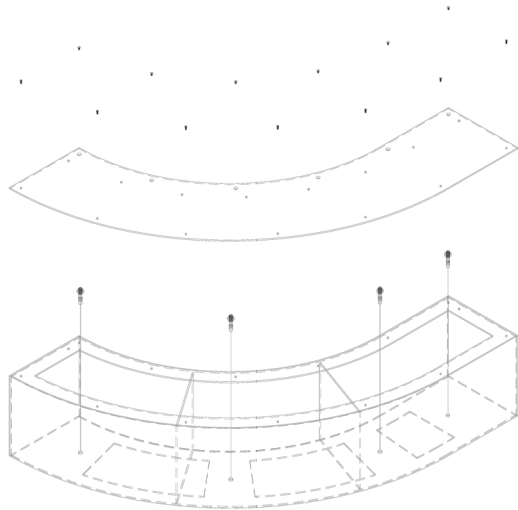


TITLE: <b>WEST ELEVATION</b>	A4		625	4/18/2023		<b>The Urban Conga Inc.</b> info@theurbanconga.com www.theurbanconga.com
	DRAWING NO.		PROJECT NO.	DATE.		
COST ESTIMATE	1/4" = 1'-0"	MC	RS	5/30/23		
	SCALE AT A4.	DRAWN.	CHECKED.	REVISION.		

### STEP 1

Anchor lower module to ground through holes in base plate

Secure the top lid with pan head screws on outer edge, and flathead screws on inner edge

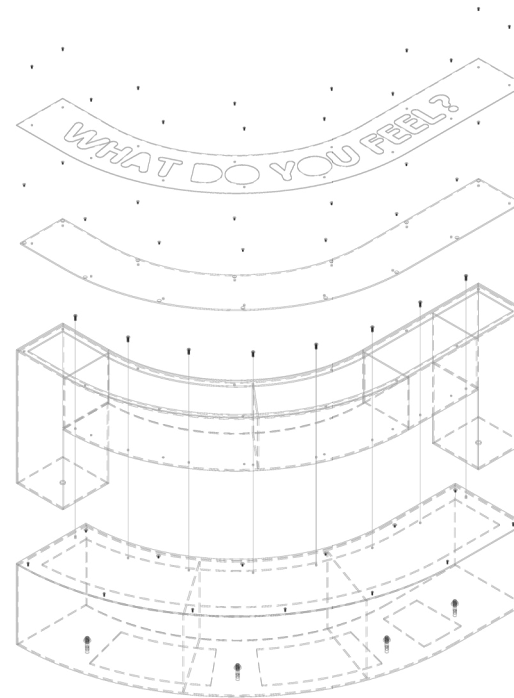


### STEP 2

Mount upper module to lower through holes in bottom face corresponding with threaded holes in lower module

Secure the inset lid with flathead screws

Secure the outer lid with pan head screws



TITLE:

CONSTRUCTION DETAIL DRAWING

D1

DRAWING NO.

625

PROJECT NO.

5/26/23

DATE.

COST ESTIMATE

1/4" = 1'-0"

SCALE AT A4.

AC

DRAWN.

RS

CHECKED.

REVISION.



The Urban Conga Inc.

info@theurbanconga.com

www.theurbanconga.com



*\*this is a conceptual rendering and final  
groundscape color selection may vary  
upon final approval*





A woman wearing a white dress and a straw hat with a colorful band is pointing her right index finger towards a large, light blue cube. The cube has a rounded rectangular window on its side that shows a pink, hazy landscape. The scene is set outdoors on a grassy field with trees in the background under a bright sky.

get out and play !! 😊

[www.theurbanconga.com](http://www.theurbanconga.com)